

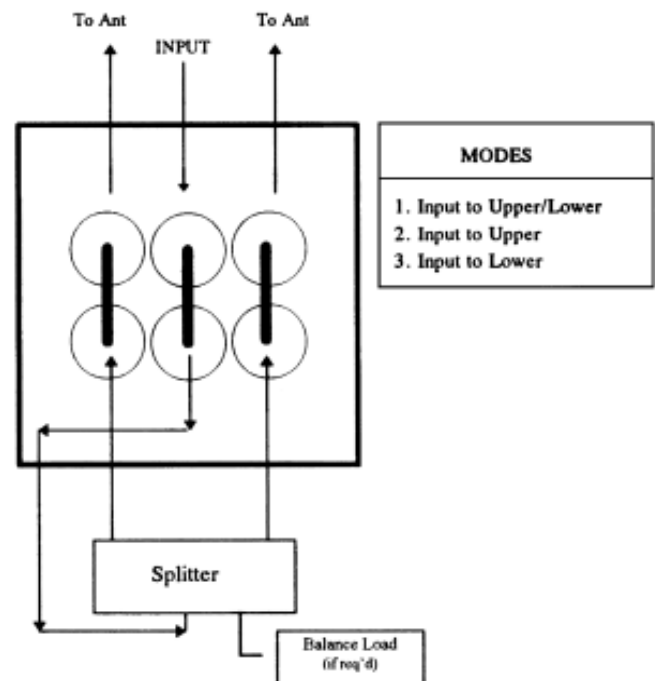


# PATCH PANEL POWER SPLITTER FOR DUAL FEED ANTENNA SYSTEMS

- Low VSWR
- Low Insertion Loss
- Broadband
- Standard EIA Sizes
- High Power



MCI's Patch Panel Power Splitter integrates a combination of high quality components to produce a manual patching system used in dual feed antenna systems. The input to the power splitter may be a single channel or multiple channels. The patch panel and power splitter assembly is lab optimized for best possible performance. The patch panel utilizes low-loss U-links that allow quick changeover for the different modes of operation. Interlocks are provided in each U-link position for use by the customer. A unitized frame houses all the components as a stand-alone product. Input and outputs are at the top of the frame. The system can be supplied with either a 0°/0° power splitter or it can use a 3dB hybrid for a 0°/90° split. In the case of the 3dB hybrid a reject load will be required for the balance port. Power rating of the load is based on input powers and can be supplied as an option.





**SERIES 56700**

**PATCH PANEL POWER SPLITTER FOR DUAL FEED ANTENNA SYSTEMS**

	<b>Lo VHF</b>	<b>Hi VHF</b>	<b>FM</b>	<b>UHF</b>
<b>FREQUENCY (MHz)</b>	47-88	174-230	88-108	470-490
<b>MODEL</b>	56725	56735	56745	56755
<b>MAX POWER (combined out)</b>	200kW (peak Vis)	160kW (peak Vis)	160kW (peak Vis)	80kW (peak Vis)
<b>SIZE</b>	<b>in</b> 52x36x78 <b>(cm)</b> (132x92x198)	<b>in</b> 52x36x78 <b>(cm)</b> (132x92x198)	<b>in</b> 52x36x78 <b>(cm)</b> (132x92x198)	<b>in</b> 52x36x66 <b>(cm)</b> (132x92x168)
<b>WEIGHT</b>	<b>lbs</b> 540 <b>(kg)</b> (245)	<b>lbs</b> 510 <b>(kg)</b> (230)	<b>lbs</b> 520 <b>(kg)</b> (236)	<b>lbs</b> 490 <b>(kg)</b> (222)
<b>CONNECTORS</b>	6 1/8	6 1/8	6 1/8	6 1/8
<b>MODEL</b>	56724	56734	56744	56754
<b>MAX POWER (combined out)</b>	120kW (peak Vis)	90kW (peak Vis)	75kW (peak Vis)	45kW (peak Vis)
<b>SIZE</b>	<b>in</b> 48x36x78 <b>(cm)</b> (122x92x198)	<b>in</b> 48x36x66 <b>(cm)</b> (122x92x168)	<b>in</b> 48x36x66 <b>(cm)</b> (122x92x168)	<b>in</b> 48x36x66 <b>(cm)</b> (122x92x168)
<b>WEIGHT</b>	<b>lbs</b> 330 <b>(kg)</b> (150)	<b>lbs</b> 310 <b>(kg)</b> (141)	<b>lbs</b> 320 <b>(kg)</b> (145)	<b>lbs</b> 300 <b>(kg)</b> (136)
<b>CONNECTORS</b>	4 1/16	4 1/16	4 1/16	4 1/16
<b>MODEL</b>	56723	56733	56734	56753
<b>MAX POWER (combined out)</b>	80kW (peak Vis)	50kW (peak Vis)	40kW (peak Vis)	25kW (peak Vis)
<b>SIZE</b>	<b>in</b> 32x36x78 <b>(cm)</b> (82x92x198)	<b>in</b> 32x36x66 <b>(cm)</b> (82x92x168)	<b>in</b> 32x36x66 <b>(cm)</b> (82x92x168)	<b>in</b> 32x36x66 <b>(cm)</b> (82x92x168)
<b>WEIGHT</b>	<b>lbs</b> 300 <b>(kg)</b> (136)	<b>lbs</b> 270 <b>(kg)</b> (123)	<b>lbs</b> 290 <b>(kg)</b> (132)	<b>lbs</b> 250 <b>(kg)</b> (114)
<b>CONNECTORS</b>	3 1/8	3 1/8	3 1/8	3 1/8
<b>MODEL</b>	56722	56732	56742	56752
<b>MAX POWER (combined out)</b>	25kW (peak Vis)	14kW (peak Vis)	14kW (peak Vis)	7kW (peak Vis)
<b>SIZE</b>	<b>in</b> 30x30x78 <b>(cm)</b> (76x76x198)	<b>in</b> 30x30x66 <b>(cm)</b> (76x76x168)	<b>in</b> 30x30x66 <b>(cm)</b> (76x76x168)	<b>in</b> 30x30x66 <b>(cm)</b> (76x76x168)
<b>WEIGHT</b>	<b>lbs</b> 75 <b>(kg)</b> (34)	<b>lbs</b> 70 <b>(kg)</b> (32)	<b>lbs</b> 72 <b>(kg)</b> (33)	<b>lbs</b> 68 <b>(kg)</b> (31)
<b>CONNECTORS</b>	1 5/8	1 5/8	1 5/8	1 5/8

All specifications are subject to change without notice.

**Options available:**

- Reject Load
- Wattmeter
- Couplers
- Fine Matchers
- 7/8 design



**Micro Communications, Inc. 15 Caron Street Merrimack, NH USA 03054**  
**Tel: 603-429-0800 Toll-free: 800-545-0608 Fax: 603-426-1633 Web: www.mcibroadcast.com**  
**Email: Sales@mcibroadcast.com**