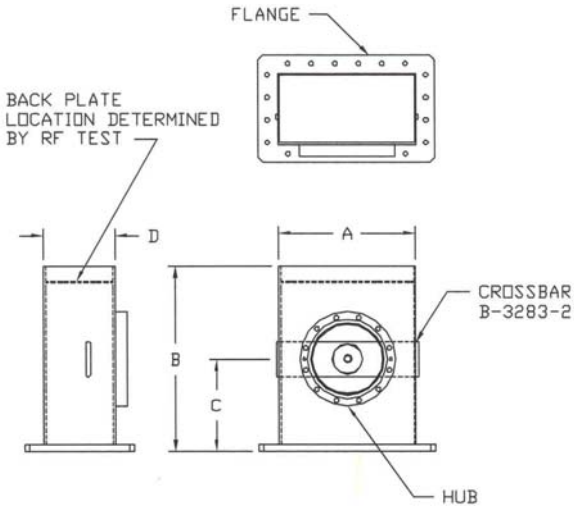




# Waveguide to Coaxial Transitions



- AVAILABLE IN 1/8 AND 1/4 WALL THICKNESS
- CHROMATE OR PIANT
- CUSTOM FLANGE SIZES

Coax to Waveguide Transitions Available from "N" to 9-3/16					
Size EIA WR	MCI Model #	A	B	C	D
430	56102-X	4.46 (113.28)	8.00 (203.20)	4.00 (101.60)	2.15 (54.61)
650	56104-X	6.75 (171.45)	12.00 (304.80)	6.00 (152.4)	3.25 (82.55)
770	56105-X	7.95 (201.93)	12.00 (304.80)	6.00 (152.4)	3.85 (97.79)
975	56106-X	10.00 (254.00)	16.00 (406.40)	8.00 (203.20)	4.875 (123.83)
1150	56107-X	11.75 (298.45)	16.00 (406.40)	8.00 (203.20)	5.75 (146.05)
1500	56108-X	15.25 (387.35)	18.00 (457.20)	10.00 (254.00)	7.50 (190.50)
1800	56109-X	18.25 (463.55)	22.00 (558.80)	12.00 (304.80)	9.00 (228.60)
2100	56110-X	23.38 (593.85)	30.00 (762.00)	18.00 (457.20)	10.50 (266.70)
2300	56111-X	23.38 (593.85)	30.00 (762.00)	18.00 (457.20)	11.50 (292.10)

Foot notes  
 "X" Denotes coax hub size  
 Dimension in inches (mm)