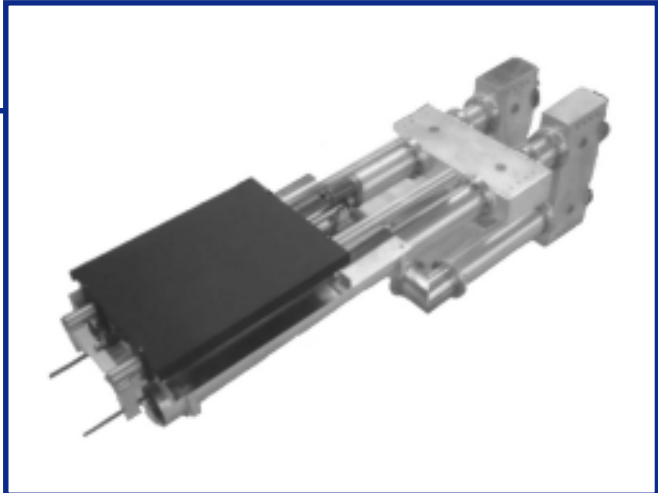




# VHF HIGH POWER HOT SWITCH AND SWITCHLESS COMBINER

- No Loss of Air Time
- Switches Under Power
- High Isolation
- VHF Applications to 100kW
- Microprocessor Control
- Non-contacting Choke Phaser



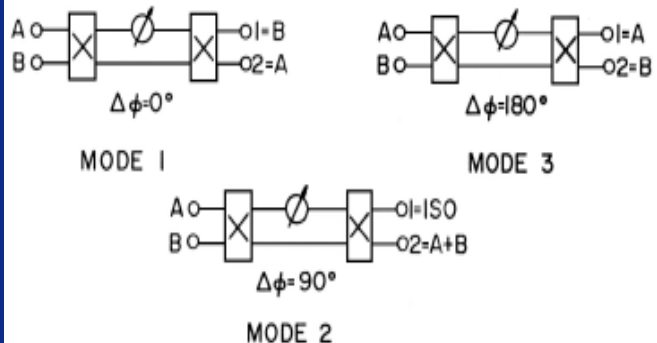
The MCI High Power VHF Switchless Combiner is designed to combine and/or switch two transmitter inputs to one or both of the combiner outputs. The switching operation can be done under full power without interruption of programming.

MCI now extends their line of high power switchless combiners to the VHF range. The new VHF switchless combiner relies on the same dual section, non-contacting short, quadrature hybrid phaser technology as the UHF model, ensuring trouble-free high power performance.

The mode charts at the right show the changes in power to either output port as the phaser is moved through its positions. The unit's positions are fac-

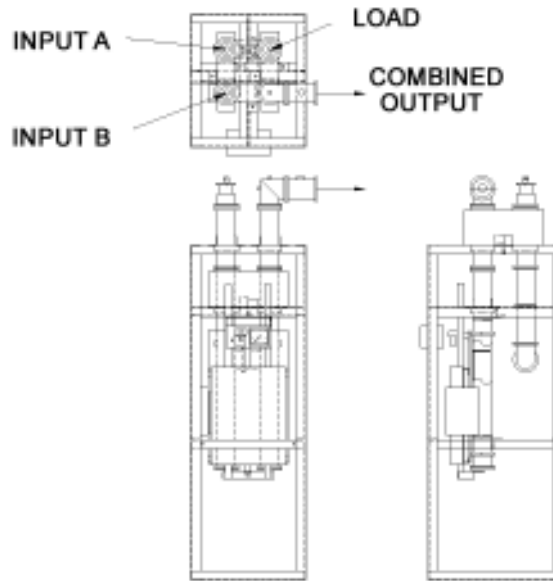
tory pre-set. A microprocessor controller with momentary push-button user contacts and full status interlocks, controls the single motor drive and allows for remote switching.

MODE	INPUT	$\Delta\phi$	OUTPUT
1	A or B	0°	A → 2, B → 1
2	A + B	90°	A+B → 2, ISO → 1
3	A or B	180°	A → 1, B → 2





<b>SPECIFICATIONS</b>
VSWR : < 1.10 Over Pass Band
Insertion Loss: < 0.1 dB
Isolation: > 35 dB at Visual Carrier



		<b>HI-VHF</b>	
<b>FREQUENCY (MHz)</b>		174-216	
<b>CHANNEL RANGE</b>		7-13	
<b>MODEL</b>		55025	55024
<b>POWER (Peak)</b>		100kW	40kW
<b>SIZE</b>	<b>ft</b>	8x4x4	7x3.5x3.5
	<b>(mm)</b>	(2438x1219x1219)	(2134x1067x1067)
<b>WEIGHT</b>	<b>lbs</b>	500	450
	<b>(kg)</b>	227	204
<b>CONNECTORS</b>	<b>EIA</b>	6 1/8	3 1/8
<b>MODEL</b>		55022	55023
<b>POWER (Peak)</b>		100kW	15kW
<b>SIZE</b>	<b>ft</b>	8x4x4	7x3.5x3.5
	<b>(mm)</b>	(2438x1219x1219)	(2134x1067x1067)
<b>WEIG</b>	<b>lbs</b>	475	400
	<b>(kg)</b>	215	181
<b>CONNECTORS</b>	<b>EIA</b>	4 1/16	1 5/8

All specifications are subject to change without notice.

