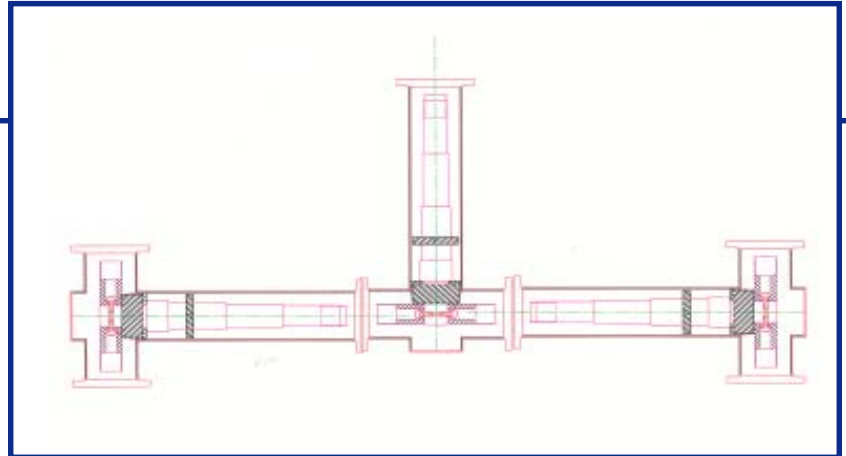




POWER COMBINERS

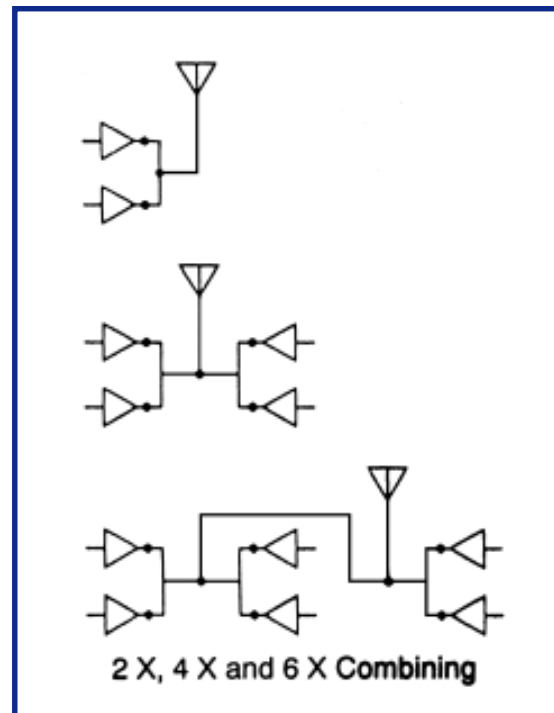
- Installs Inside Cabinet
- Combines Solid State Power Amplifiers
- Broadband
- Low VSWR



MCI's Power Combiners are used to combine as many as six power amplifiers into a single output. The combining action is accomplished by the use of precision transformer sections. The number of inputs dictates each transformer design.

The use of single or multiple transformers is in direct relationship to the bandwidth. UHF power combiners are designed to cover the full UHF band. Two models cover the Hi-V band and the Lo-V is designed for each individual channel.

These combiners are ideal when used to combine multiple amplifier modules into a single output as is the case in solid state transmitters.





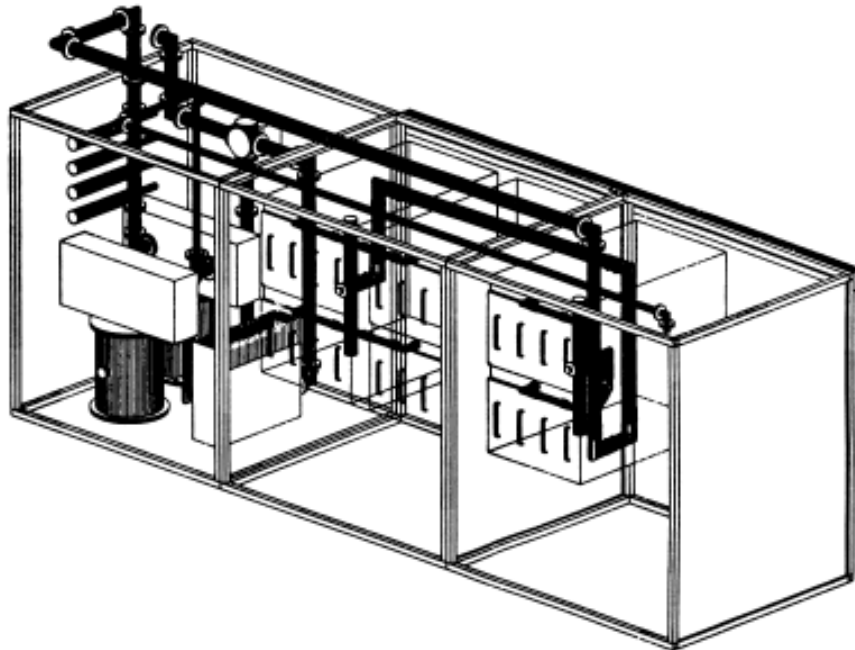
SPECIFICATIONS
VSWR: 1.10 dB (over band)
Insertion Loss: 0.10 dB (over band)

	LO-V	HI-V	UHF
FREQUENCY (MHz)	47-88	174-230	470-860
CHANNEL RANGE (USA)	2-6	7-13	14-69
MODEL	55122	55322	55422
POWER (2 x 5 kW)	10 kW	10 kW	10 kW
INPUT CONNECTOR EIA	1 5/8	1 5/8	1 5/8
OUTPUT CONNECTOR EIA	1 5/8	1 5/8	3 1/8
MODEL	55132	55332	55432
POWER (2 x 5 kW)	20 kW	20 kW	20 kW
INPUT CONNECTOR EIA	1 5/8	1 5/8	1 5/8
OUTPUT CONNECTOR EIA	3 1/8	3 1/8	3 1/8
MODEL	55142	55342	55442
POWER (2 x 5 kW)	30 kW	30 kW	30 kW
INPUT CONNECTOR EIA	1 5/8	1 5/8	1 5/8
OUTPUT CONNECTOR EIA	3 1/8	3 1/8	4 1/16

All specifications are subject to change without notice.

Notes:

1. Combiners for other power levels available, consult factory.
2. Unflanged and flanged connections available.



Micro Communications, Inc. 15 Caron Street Merrimack, NH USA 03054
 Tel: 603-429-0800 Toll-free: 800-545-0608 Fax: 603-426-1633 Web: www.mcibroadcast.com
 Email: sales@mcibroadcast.com