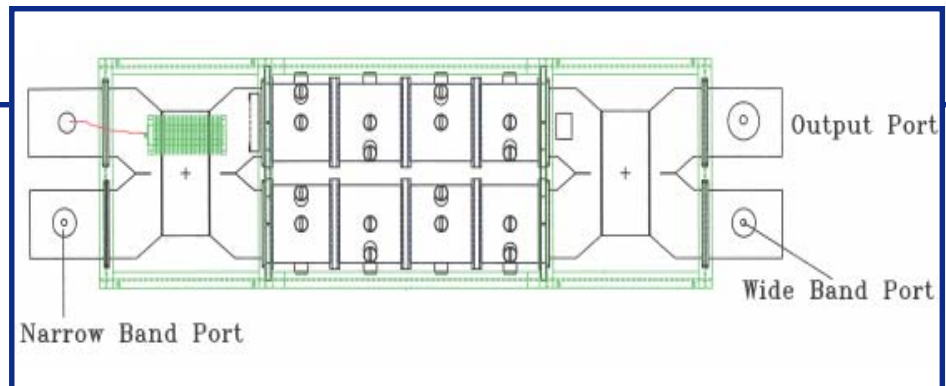




UHF-TV DUAL CHANNEL COMBINER

- All Waveguide
- Small Volume
- High Power
- High Isolation
- Low Insertion Loss

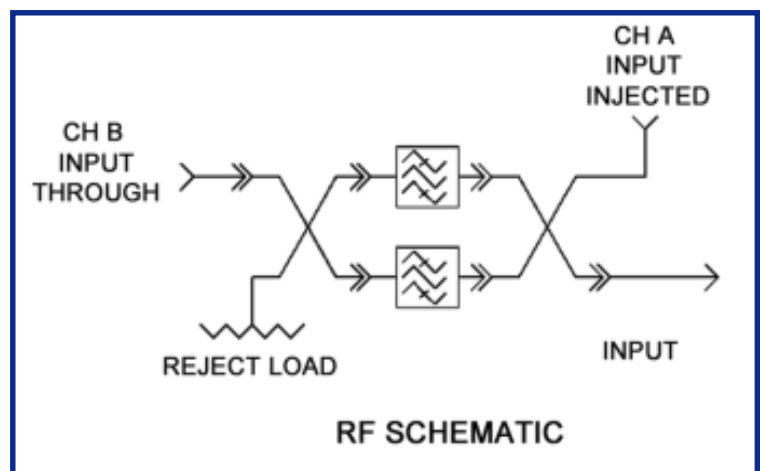


The MCI dual channel UHF-TV combiner is a constant impedance device consisting of two waveguide bandpass filters and two hybrids. The combiner allows two high power UHF-TV transmitters, operating on different channels, to use a common feedline and antenna system without causing interference to each other. It offers low insertion loss and VSWR on both channels.

A typical design provides 35dB minimum isolation with a 6 section bandpass filter for a single channel separation. Reducing the number of filter sections for large spaced channels would result in somewhat decreased through channel insertion loss.

The maximum channel separation is determined by the waveguide size and for optimum performance should not exceed a 30% frequency bandwidth.

Final specifications are dependent on the frequencies to be combined.





SPECIFICATIONS	
Frequency:	Specify Channel (14-70)
VSWR:	1.10 Both Channels
Insertion Loss:	0.25 dB Through Channels 0.1 dB Injected Channels
Isolation:	35 dB Both Channels
Power:	140kW Model # 41229, 41228, 41227 280kW Model # 41219, 41218, 41217

Specifications shown reflect a four-channel spacing.
Results vary with different channel spacing.

	UHF		
FREQUENCY (MHz)	470-608	566-728	698-860
CHANNEL RANGE	14.36	30.56	52.69
MODEL 280kW	41219	41218	41217
MODEL 140kW	41229	41228	41227
WAVEGUIDE SIZE	WR1800	WR1500	WR1150
SIZE	18x5x3 (5.48x1.52x0.91)	15x4x2 (4.57x1.21x0.60)	13x3x2 (3.96x0.91x0.60)
WEIGHT	650 (295)	400 (181)	300 (136)
INPUT FLANGE 280 kW	WR1800	WR1500	WR1150
INPUT FLANGE 140 kW	COAX	COAX	COAX
OUTPUT FLANGE	WR1800	WR1500	WR1150

All specifications are subject to change without notice.

